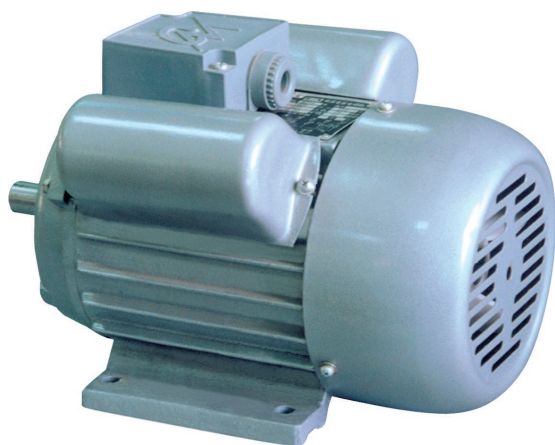


GUANGZHOU HAOQING MOTOR CO.,LTD

YL Series Two-value Capacitor Induction Motors



- Frame sizes: 71 to 100
 - Rated Voltage: 220V
 - Degree of protection: IP44
 - Number of poles: 2,4,6
- Rated output: 0.25 to 3Kw
Frequency: 50Hz
Insulation class: B / F

Applications: Air compressors, medical instruments and small machine tools, etc.

Features: Out-standing performance of starting and operation, low noise, compact dimensions and smooth running.

Performance Data

220V

50Hz

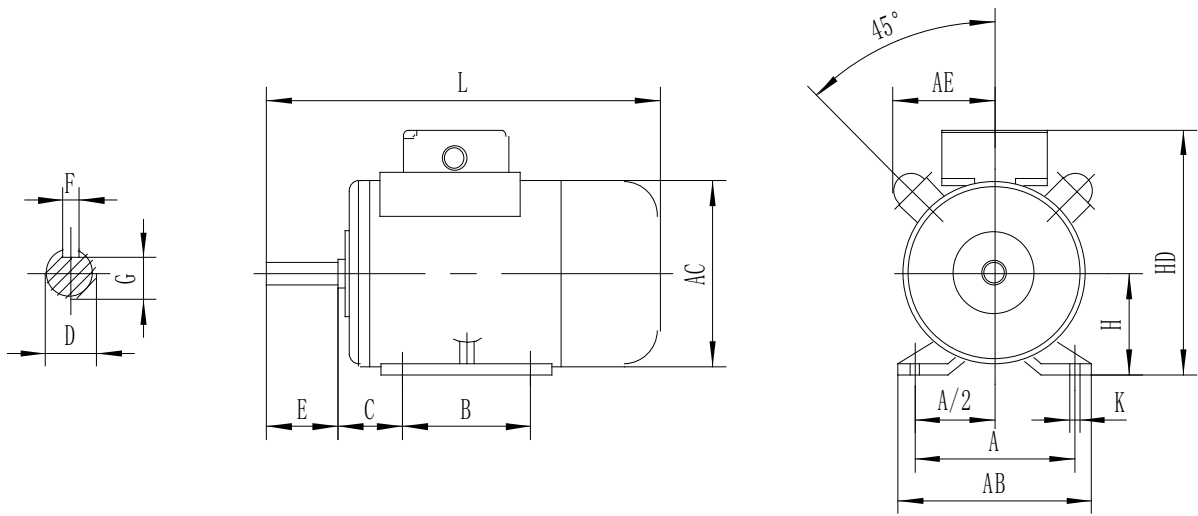
Type	kW	Current A	r/min	Eff.%	P.F	$\frac{T_{st}}{T_N}$	Ist
Synchronous speed 3000r/min							
YL713-2	0.75	4.7	2800	72	0.92	1.8	29
YL801-2	0.75	4.9	2800	72	0.92	1.8	29
YL802-2	1.1	7.0	2800	75	0.95	1.8	40
YL90S-2	1.5	9.4	2800	76	0.95	1.7	55
YL90L-2	2.2	13.7	2800	77	0.95	1.7	80
YL100L1-2	3	18.2	2800	79	0.95	1.7	110
Synchronous speed 1500r/min							
YL801-4	0.55	4.0	1400	68	0.92	1.8	21
YL802-4	0.75	5.1	1400	71	0.92	1.8	29
YL90S-4	1.1	7.3	1400	73	0.95	1.7	40
YL90L-4	1.5	9.7	1400	75	0.95	1.7	55
YL100L1-4	2.2	13.9	1400	76	0.95	1.7	80
YL100L2-4	3	18.6	1400	77	0.95	1.7	110
Synchronous speed 1000r/min							
YL902-6	0.75	5.3	930	68	0.92	1.8	110
YL903-6	1.1	7.5	920	68	0.92	1.8	110
Synchronous speed 3000r/min							
YL711-2J	0.37	2.7	2800	67	0.92	1.8	16
YL712-2J	0.55	3.9	2800	70	0.92	1.8	21
YL713-2J	0.75	4.7	2800	72	0.92	1.8	29
YL714-2J	1.1	7.0	2800	75	0.95	1.8	40
Synchronous speed 1500r/min							
YL711-4J	0.25	2.0	1400	62	0.92	1.8	12
YL712-4J	0.37	2.8	1400	65	0.92	1.8	16
YL713-4J	0.55	4.2	1400	68	0.92	1.8	18
YL714-4J	0.75	5.1	1400	71	0.92	1.8	20

GUANGZHOU HAOQING MOTOR CO.,LTD

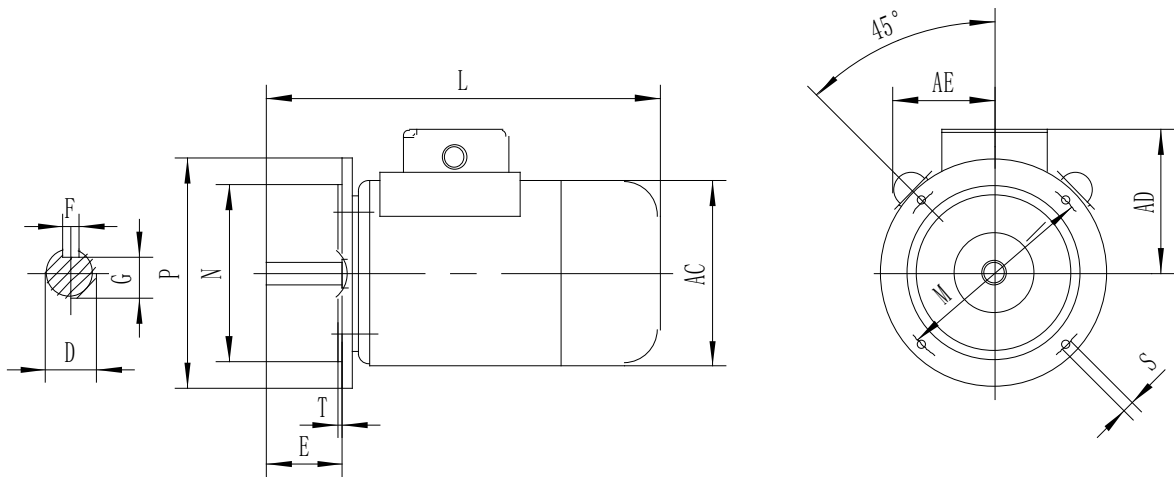
Dimensions

mm

IMB3

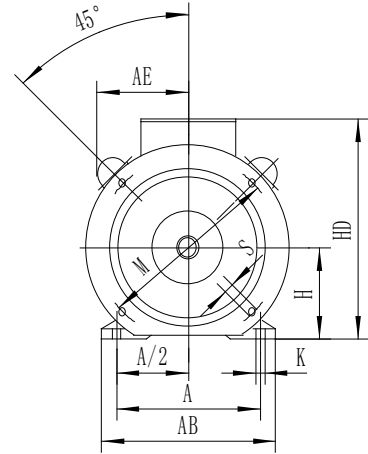
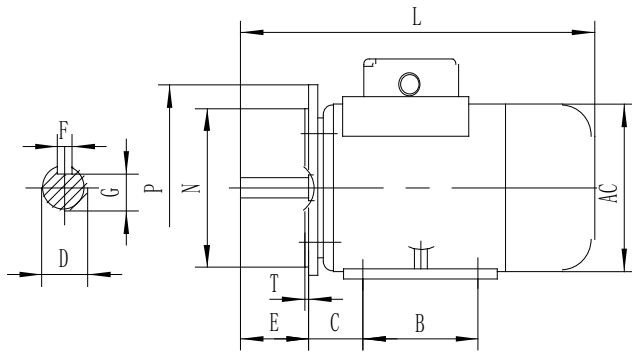


IMB5

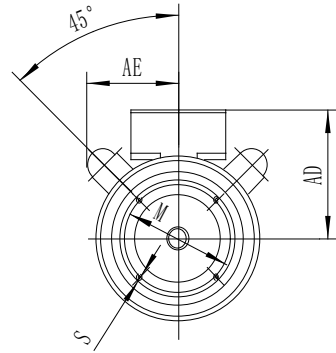
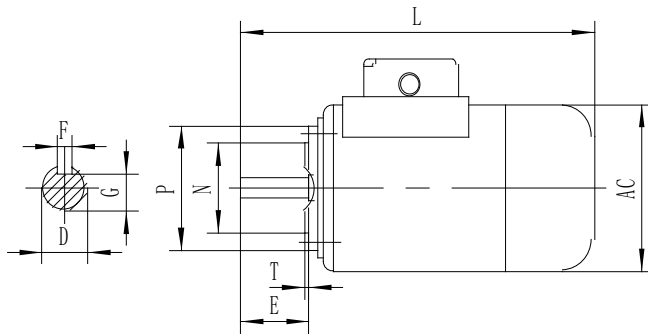


GUANGZHOU HAOQING MOTOR CO.,LTD

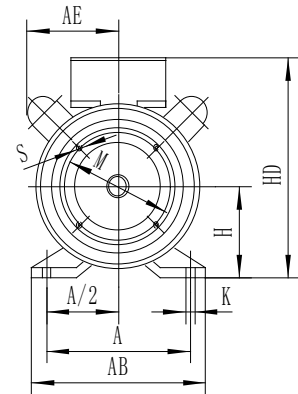
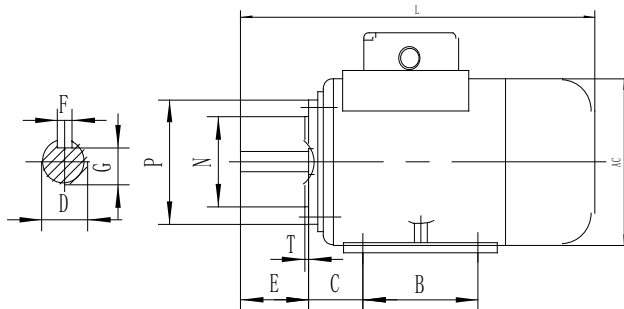
IMB35



IMB14



IMB34



GUANGZHOU HAOQING MOTOR CO.,LTD

Frame	IMB3										IMB14					IMB34					IMB5					IMB35					IMB3					
	A	A/2	B	C	D	E	F	G	H	K	M	N	P	R	S	T	M	N	P	R	S	T	M	N	P	R	S	T	AB	AC	AD	AE	HD	L		
YL80	125	62.5	100	50	19	40	6	15.5	80	10	100	80	120	0	M8	3	165	130	200	0	12	3.5	136	140	109	95	180	250								
YL90S	140	70	100	56	24	50	8	20	90	10	115	95	140	0	M8	3	165	130	200	0	12	3.5	160	165	108	110	188	290								
YL90L	140	70	125	56	24	50	8	20	90	10	115	95	140	0	M8	3	165	130	200	0	12	3.5	180	180	120	120	210	315								
YL100L	160	80	140	63	28	60	8	24	100	12							215	180	250	0	15	4	205	220	180	140	260	430								
YL711J	112	56	90	45	16	40	5	13	71	7	85	70	105	0	M6	3.5	130	110	160	0	10	3.5	139	142	109	100	180	265								
YL714J	112	56	90	45	16	40	5	13	71	7	85	70	105	0	M6	3.5	130	110	160	0	10	3.5	139	142	109	100	180	281								

The other dimensions of IMB14, IMB34 and IMB5 are the same as those of IMB3.

Conventional mounting type and suitable frame size are given in following table (with “√”)

Frame	Basic Type			Derived Type								
	B3	B5	B35	V1	V3	V5	V6	V18	V19	V36	B14	B34
71~80	√	√	-	√	√	√	√	√	√	-	√	√
90	√	√	√	√	√	√	√	√	√	√	√	√
100	√	√	√	√	√	√	√	-	-	√	-	-